



# WarpMaster

Maximum flexibility in automatic drawing-in

# GROZ-BECKERT

## Groz-Beckert KG

Parkweg 2, 72458 Albstadt, Germany  
Phone +49 7431 10-0, Fax +49 7431 10-2777  
contact-weaving@groz-beckert.com  
www.groz-beckert.com

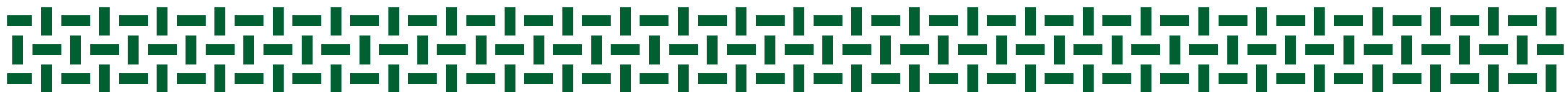
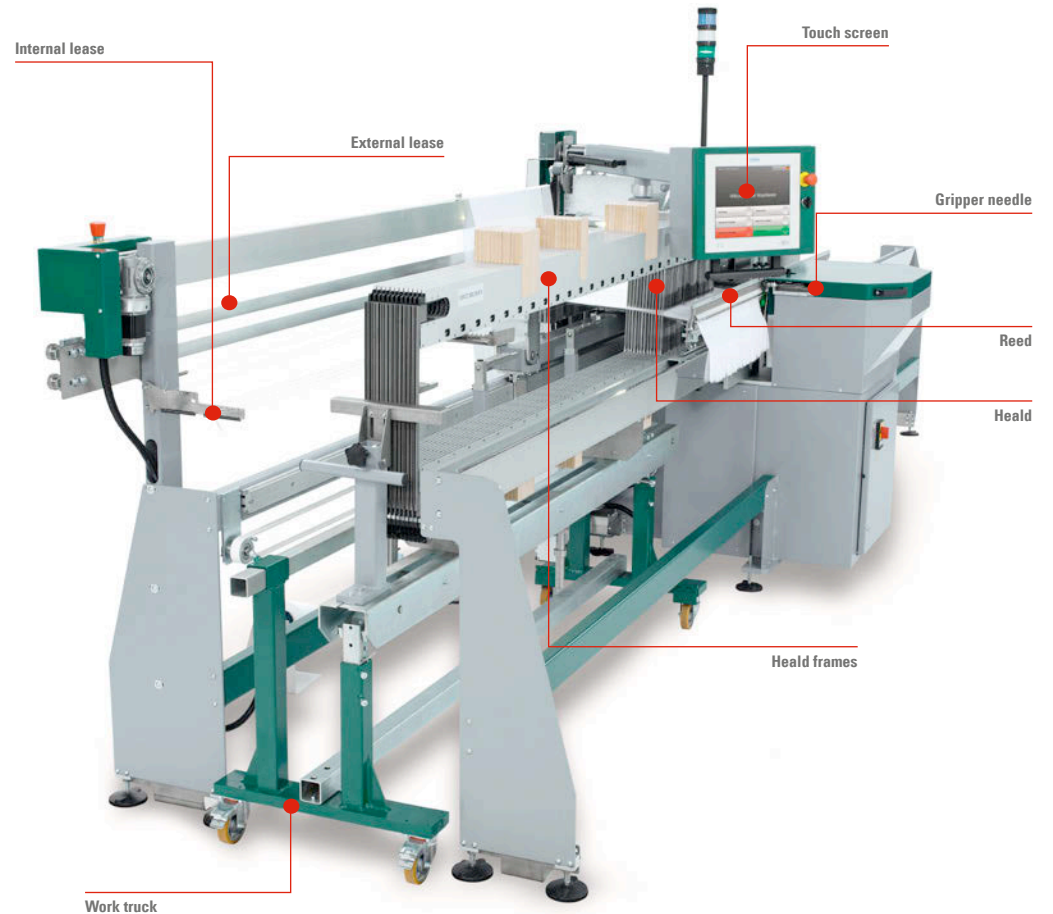
WarpMaster is easy to operate and reset because the yarn supply is from a single cone that goes through the drop wire, heald and reed. The design concept enables a drawing-in process independent of the warp beam. The effect: maximum flexibility with minimum setting requirements.

### Customer benefits

- Maximum production flexibility
- Critical warp yarns do not cause any problem during the drawing-in process because the yarn supply is from a single cone.
- Minimum space requirements for the machine and storage of drawn patterns
- Minimum training requirements for operating and maintenance personnel
- Easy operation – with aid of sensors and video support
- Low energy consumption

### Machine control and programming

The WarpMaster is operated using a touch screen monitor. This monitor supports the operator as the required work steps can be visualized in short films.

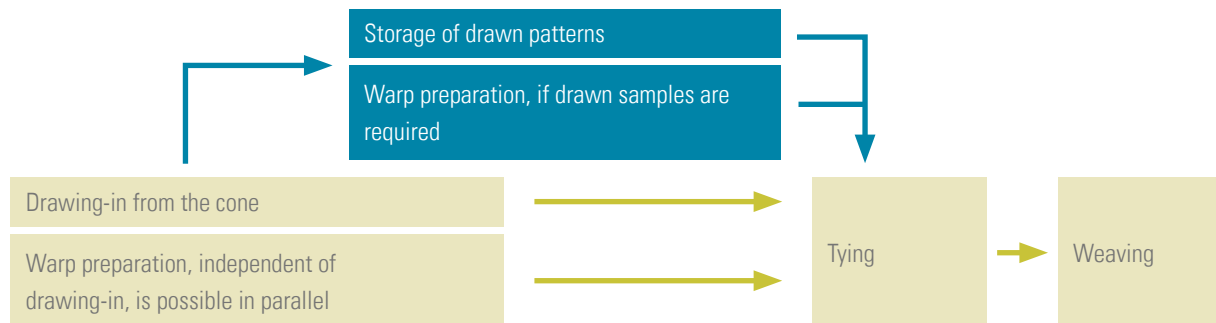
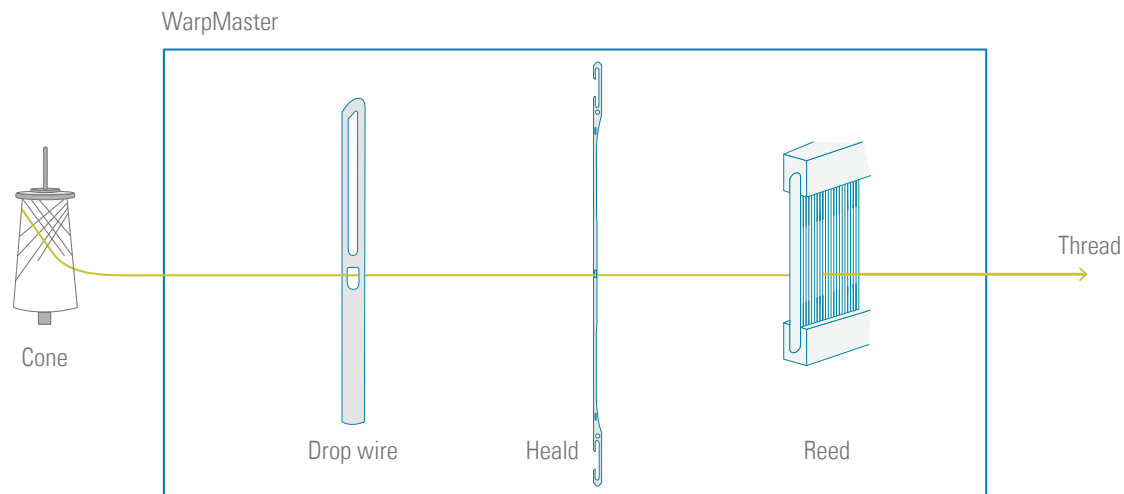


## Drawing-in principle

### Advantages:

- Drawing-in is possible prior to the availability of the warp beam
- Possibility to store drawn patterns before warp beams are available
- Improved access to the weaving machine, especially advantageous when space is limited
- Easy handling and transportation of drawn harness, especially advantageous when space is limited

### Maximum flexibility



## Specifications

Type	2400	4000
<b>External dimensions WarpMaster</b>	Length: 6.20 m	Length: 9.40 m
	Depth: 1.95 m	Depth: 1.95 m
	Height: 1.95 m	Height: 1.95 m
<b>External dimensions work truck</b>	Length: 2.65 m	Length: 4.25 m
	Depth: 0.70 m	Depth: 0.70 m
	Height: 1.35 m	Height: 1.35 m
<b>Space requirement WarpMaster and work truck</b>	3.4 m x 10 m	3.4 m x 15 m
<b>Weight of WarpMaster</b>	approx. 860 kg	approx. 1150 kg
<b>Weight of work truck</b>	approx. 250 kg	approx. 320 kg
<b>Minimum space requirement</b>	25 m <sup>2</sup>	36 m <sup>2</sup>
<b>Compressed air</b>	no	no
<b>Power supply</b>	110-240 VAC	110-240 VAC
	50-60 Hz	50-60 Hz
	below 1.65 KVA	below 1.65 KVA

### KnotPointPlus

Enables warp tying and pulling through of the patterns created by the WarpMaster outside the weaving machine.

